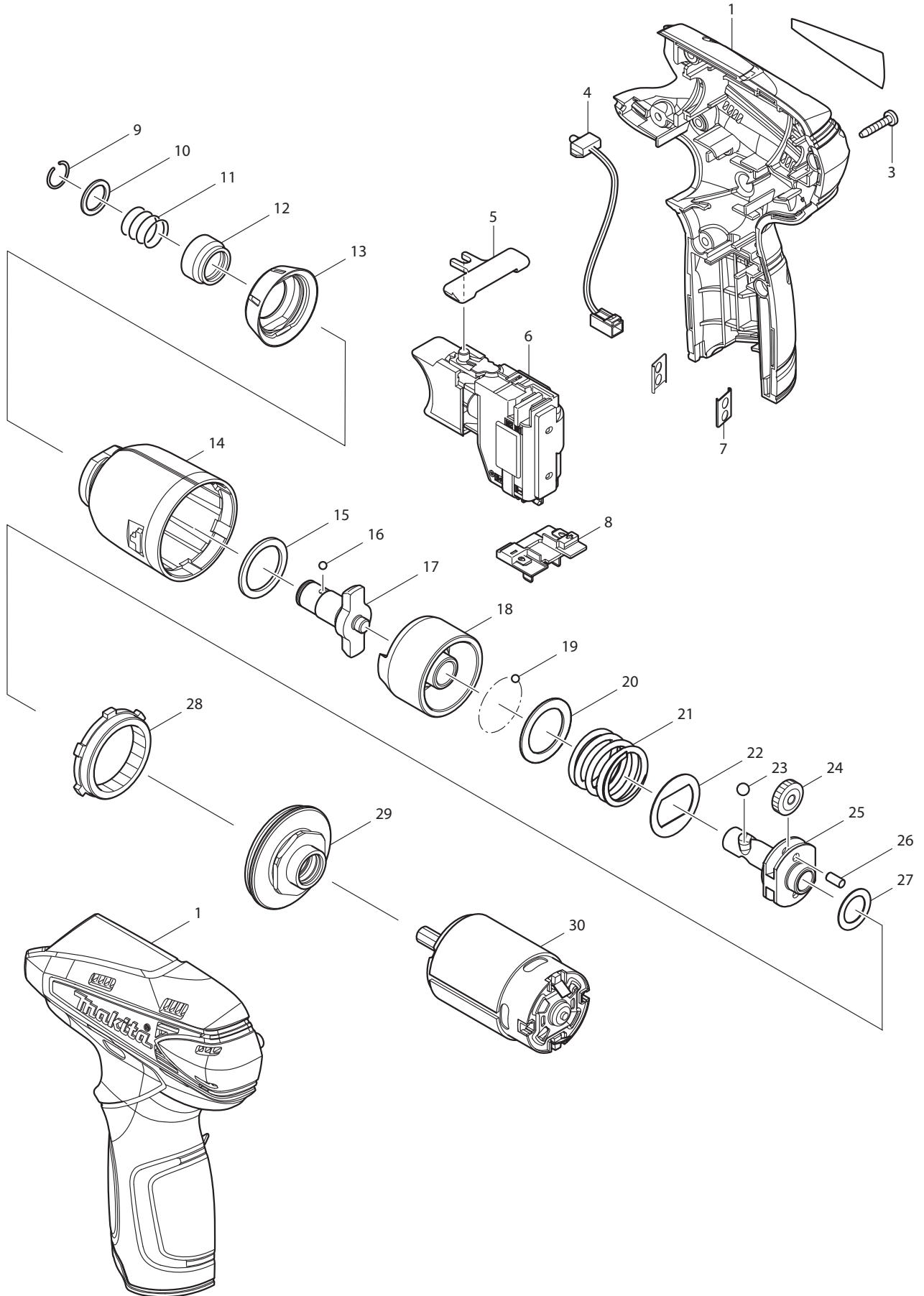




11 - 2010
TD090D, TD090DW
10.8V IMPACT DRIVER



Item No	Type	Ref	Part No	Description	Qty	Unit
1	1		188518-2	* HOUSING SET (BLUE - F/TD090D) - Remain Available	1	SET.
			810411-9	CAUTION LABEL	1	PC.
	2		187451-5	* HOUSING SET (BLUE - F/TD090D)	1	SET.
			810411-9	CAUTION LABEL	1	PC.
1A	1		188519-0	* HOUSING SET (WHITE - F/TD090DW) - Remain Available	1	SET.
			810411-9	CAUTION LABEL	1	SET.
	2		187450-7	* HOUSING SET (WHITE - F/TD090DW)	1	SET.
			810411-9	CAUTION LABEL	1	SET.
3			266130-9	TAPPING SCREW BIND PT 3X16	6	PC.
4			631813-4	* LED CIRCUIT (OLD)	1	PC.
5			450504-6	F/R CHANGE LEVER	1	PC.
6	1		650599-1	* SWITCH C3HY-1A-LM	1	PC.
	2		650645-0	* SWITCH C3HY-1A-LF1M - Remain Available	1	PC.
	3		650699-7	SWITCH C3HW-3A-LF1M	1	PC.
7			345998-7	SET PLATE	2	PC.
8			643830-2	TERMINAL	1	PC.
9			231965-7	RING SPRING 10	1	PC.
10			267143-3	FLAT WASHER 11	1	PC.
11			233005-7	COMPRESSION SPRING 13	1	PC.
12			324711-6	BIT SLEEVE	1	PC.
13			424109-8	BUMPER	1	PC.
14			158670-0	HAMMER CASE COMPLETE	1	PC.
15			261140-1	NYLON WASHER 20	1	PC.
16			216002-8	STEEL BALL 4.8	2	PC.
17			324895-0	ANVIL M	1	PC.
18			324894-2	HAMMER	1	PC.
19			216019-1	STEEL BALL 3	24	PC.
20			267380-9	FLAT WASHER 20	1	PC.
21			234064-4	COMPRESSION SPRING 21	1	PC.
22			267813-4	WASHER 21	1	PC.
23			216019-1	STEEL BALL 3	2	PC.
24			227213-0	SPUR GEAR 17	2	PC.
25			324897-6	SPINDLE	1	PC.
26			268217-3	PIN 3.5	2	PC.
27			253052-2	FLAT WASHER 12	1	PC.
28			227215-6	INTERNAL GEAR 43	1	PC.
29			158671-8	BEARING BOX COMPLETE	1	PC.
		INC.	210112-3	BALL BEARING 6801LLB	1	PC.
		INC.	213188-9	O-RING 13	1	PC.
30			629851-8	DC MOTOR	1	PC.
32			533020-4	LEAD ASSY (BLACK) -Added	1	PC.
33			533019-9	LEAD ASSY (RED) -Added	1	PC.
ACCESSORIES			- See catalogue or visit www.makita.ca for more accessories information -			
A01			168467-9	HOLSTER	1	PC.
A02			DC10WA	CHARGER DC10WA F/Li-Ion 7.2 - 10V	1	PC.
			DC10WB	CHARGER DC10WB F/LI-ION 7.2, 10.8, 12V	1	PC.
A03			194551-4	10.8V BATTERY BL1013 (1.3AH)	2	PC.
A04			784244-7	PHILLIPS + BIT 2-50	1	PC.
A05			824781-0	PLASTIC CASE F/Storing small Accessory(ies)	1	PC.
A06			824842-6	PLASTIC CARRYING CASE	1	PC.
		INC.	417724-5	LATCH	2	PC.

SERVICE CHANGES

1. Changes on Switch

(T/I# 90876)

(T/I# 90876)

Item No.	Description	Type 1	Type 2	Type 3
4	LED CIRCUIT	631813-4		-----
6	SWITCH	650599-1	650645-0	650699-7

Above parts are completely interchangeable as a set.

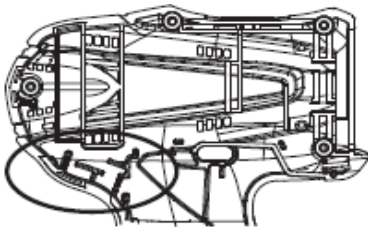
SERVICE NOTE:

- For the tool manufactured on or after April 2013 using the switch with "6506997 Lot No.", be sure to use Type 3 switch (650699-7) to repair the tool.
- For the tool manufactured before April 2013 using the switch with "6506450 Lot No.", be sure to use Type 2 switch (650645-0) to repair the tool.

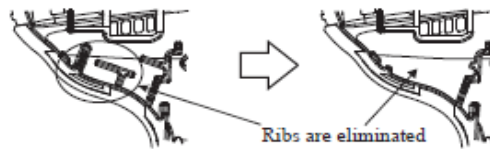
2. Changes on Housing

(T/I# 91922)

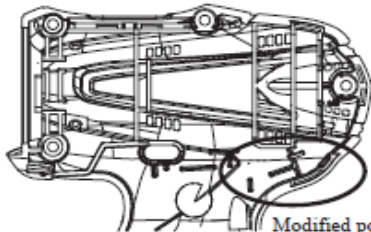
Item No.	Description	Type 1	Type 2
1	HOUSING BLUE	188518-2	187451-5
1A	HOUSING WHITE	188519-0	187450-7



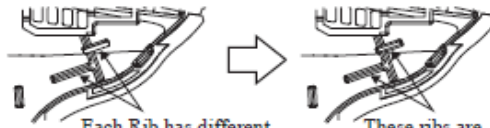
Modified portion of Housing L



Ribs are eliminated to have the room for Line filter.



Modified portion of Housing R



Each Rib has different height.

These ribs are the same in height.

SERVICE NOTE:

- Use Type 2 Housing set for repair of the models manufactured on or after July 2011 (the models have the modified ribs.)
- Use Type 1 Housing set for repair of the models manufactured before July 2011 (the models have not the modified ribs.)
- Type 1 Housing remains available.

**See Technical Information # 90876, 91992 and 98235 for Wiring Changes.
See Technical Information Y06340 for Lead Assembly (Black & Red)**